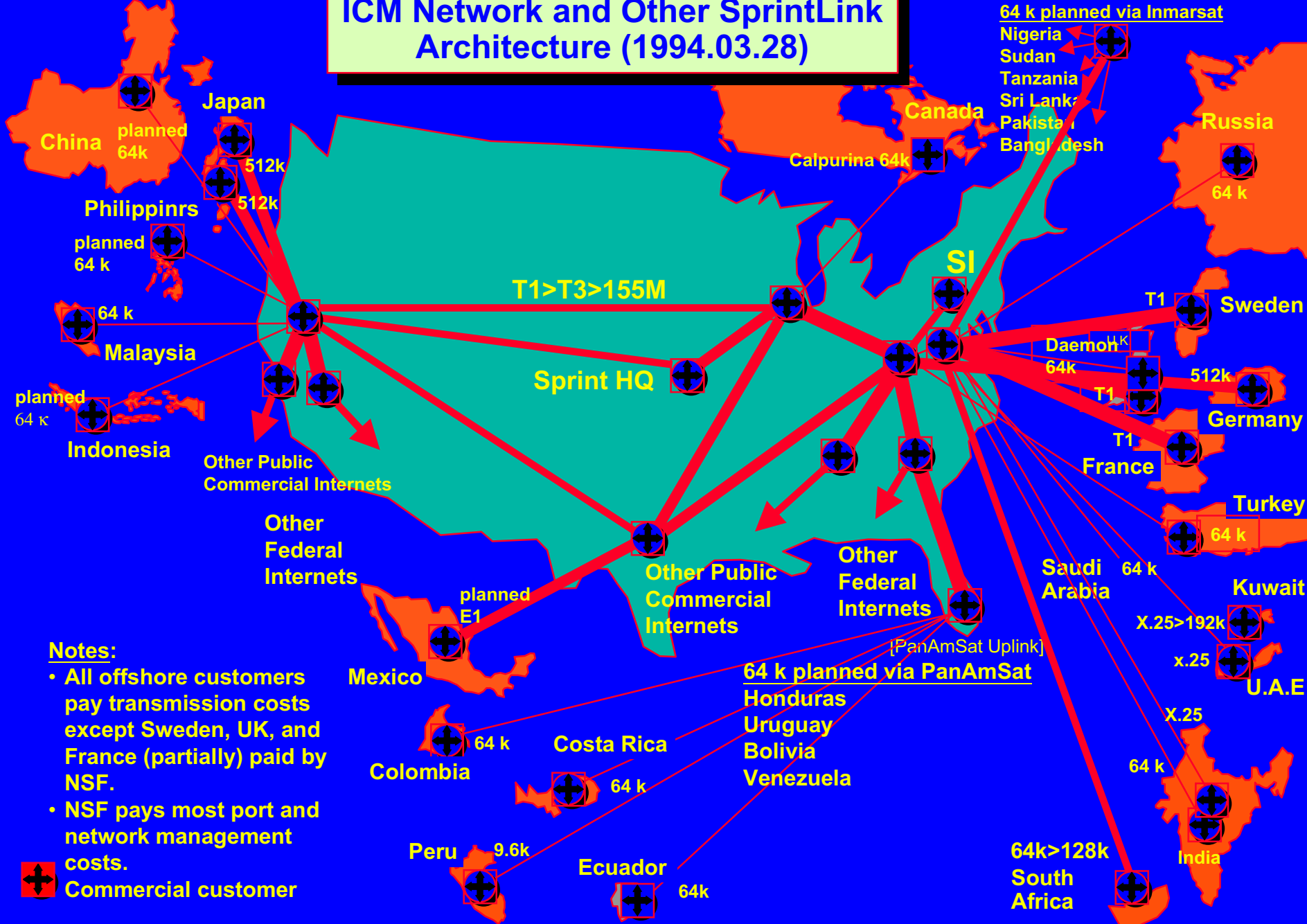


STAR TAP Update
PNC Meeting
January 13-17, 2000

Steven N. Goldstein
National Science Foundation (USA)

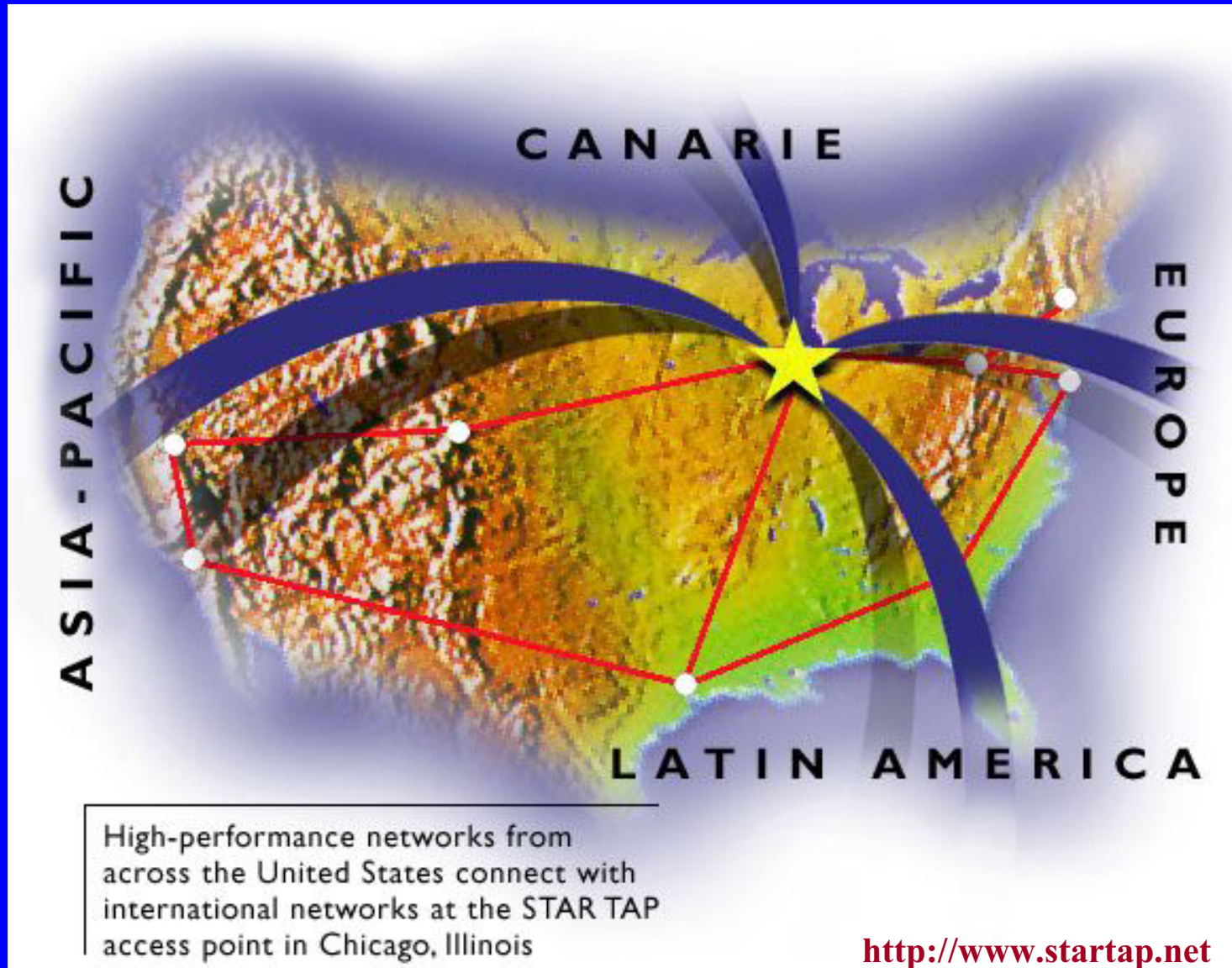


ICM Network and Other SprintLink Architecture (1994.03.28)



STAR TAP

Science Technology and Research Transit Access Point

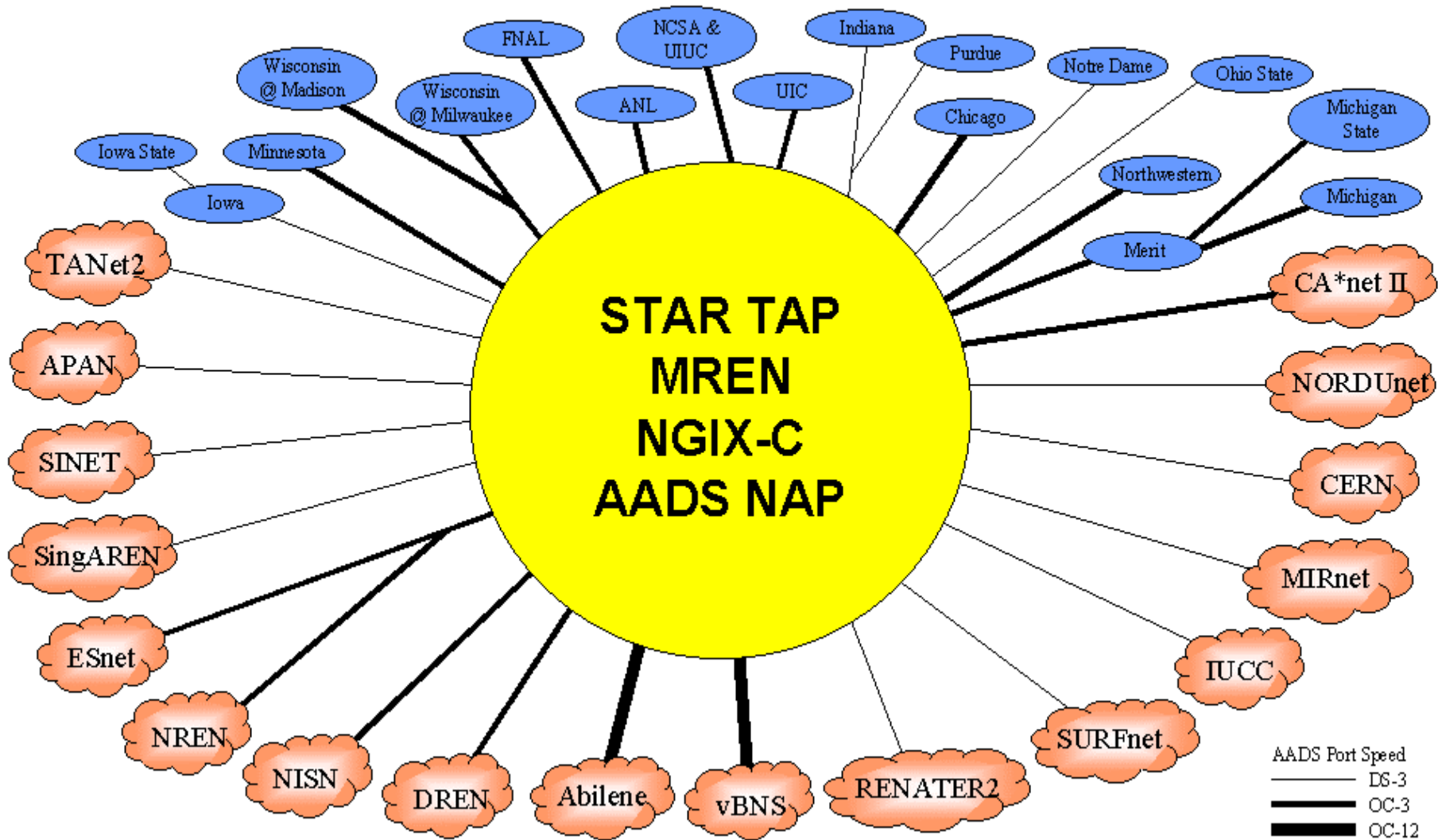


STAR TAPSM

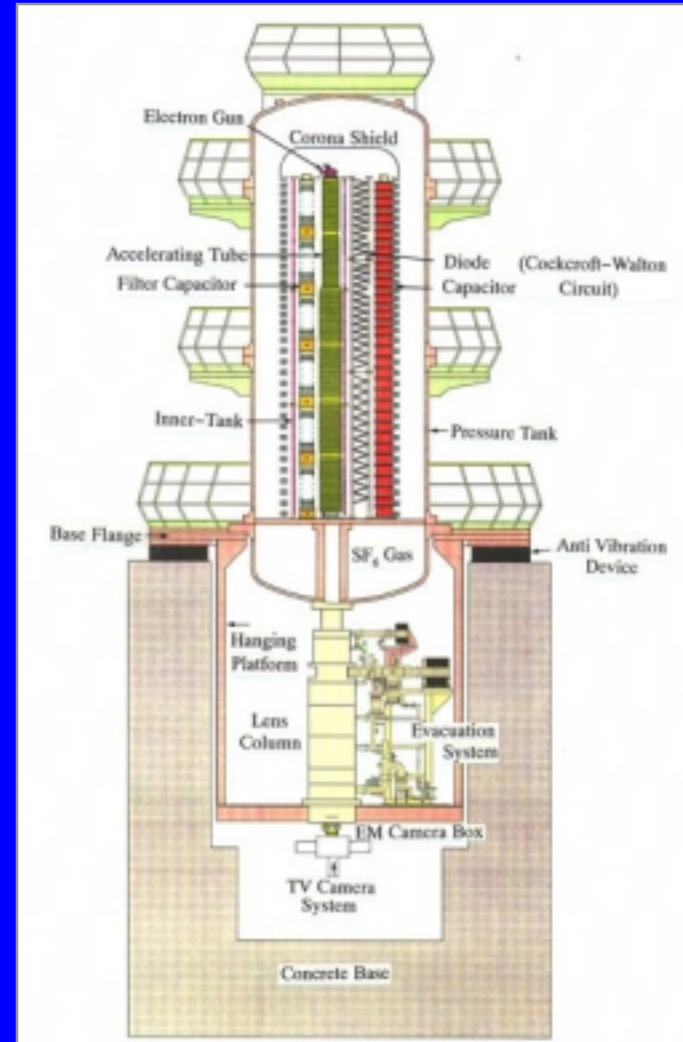
Science Technology and Research Transit Access Point



STAR TAP Logical Map



3×10^6 volt Electron Microscope at Osaka University



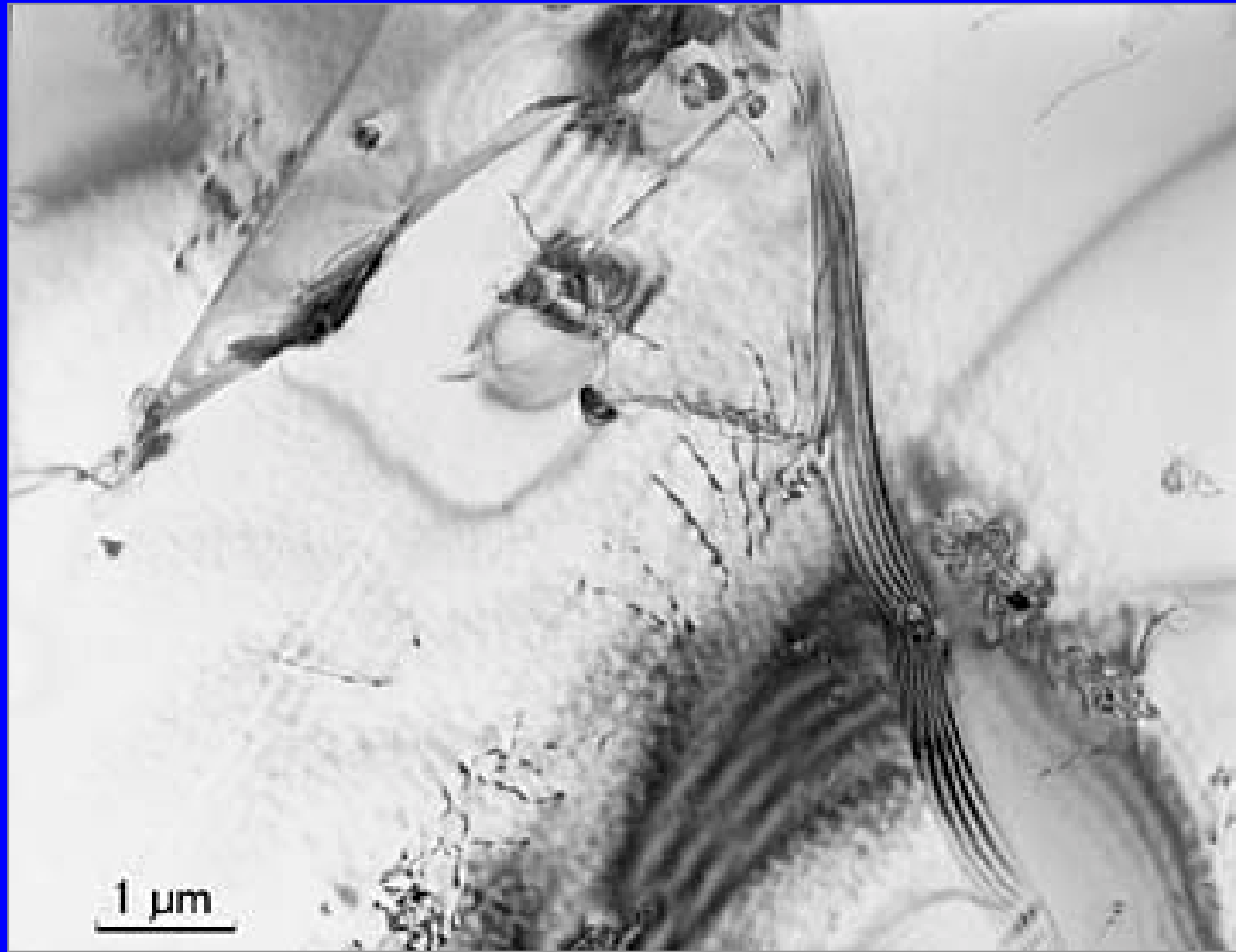
Remote Operation of Osaka Microscope from San Diego, California



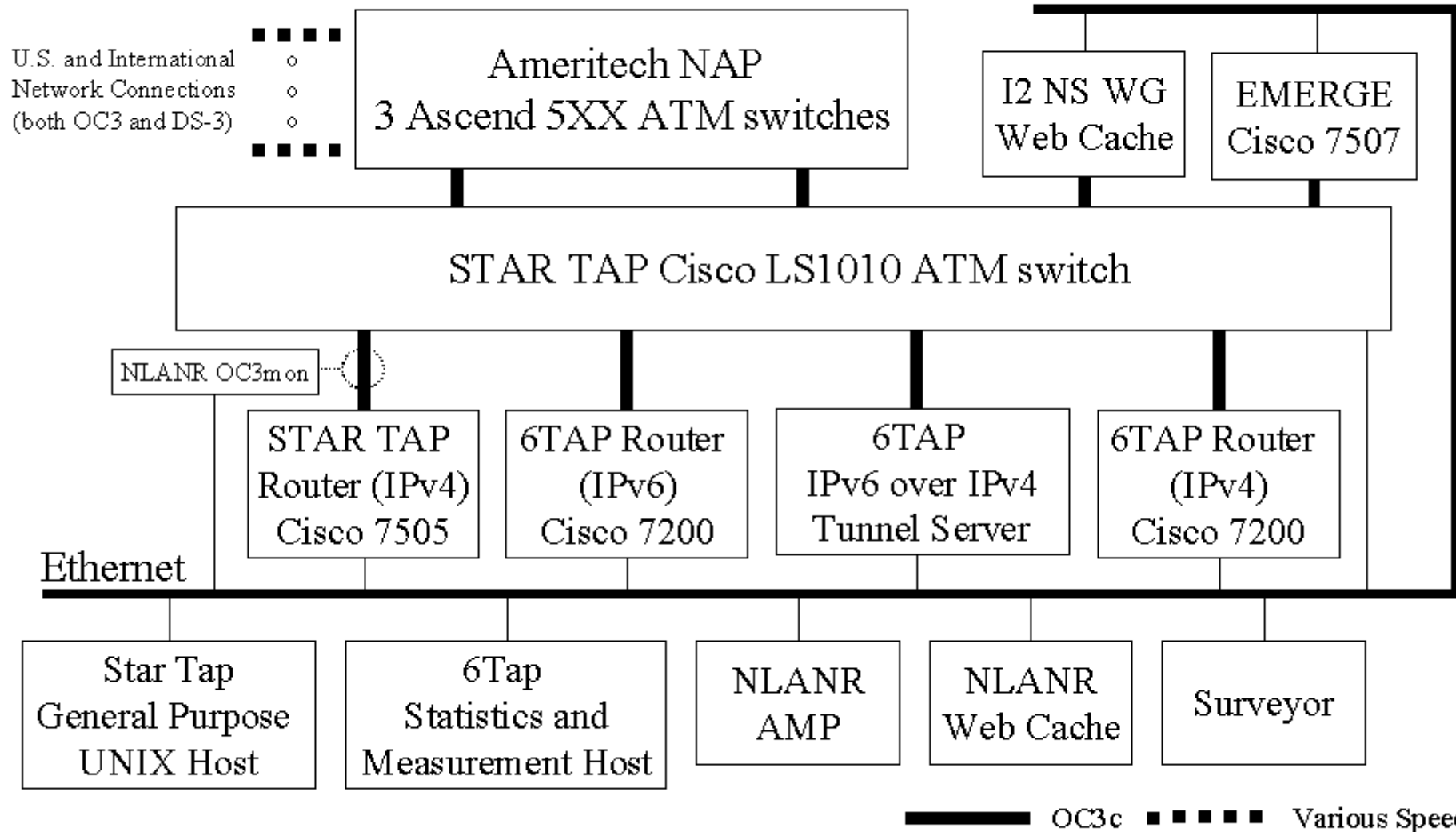
Purkinje Neuron as seen remotely



Dislocation in 18-8 Stainless Steel Remote Photo Micrograph



STAR TAP Architecture Diagram



Visit Us

<http://www.startap.net>